

**CMCP801DP  
Dual Probe Holder for Shaft Absolute  
(Proximity Probe + Velocity Sensor)**



**Features:**

- For Shaft Absolute Measurements
- Meets API 670 for External Mounting
- For 3/8-24 and 1/4-28 UNF Threaded Proximity Probes
- Mounting Hole for 1/4-28 Threaded Velocity Sensor
- 4" (102mm) Housing Extension
- IP67 Rated Housing
- Four 3/4" NPT Conduit Hubs

**Product Overview**

The CMCP801DP Dual Probe Holder is designed for applications where a shaft absolute measurement is required. The CMCP801DP holds one proximity and one velocity sensor such as our CMCP793V. The CMCP801DP allows for easy removal, inspection and adjustment of the proximity probes gap voltage and comes with a standard insertion length of 12" (304.8mm) and has an adjustment range of 1.0" (25.4mm). The sleeve may be cut to the insertion depth required for each application. The 4" (102mm) housing extension makes the CMCP801DP ideal for top entry or side entry velocity sensors with integral or removable cable assemblies. For ordering pre-cut lengths, the insertion depth should be measured or calculated. If the depth required is greater than 12" (304.8mm) please call for a custom quote.

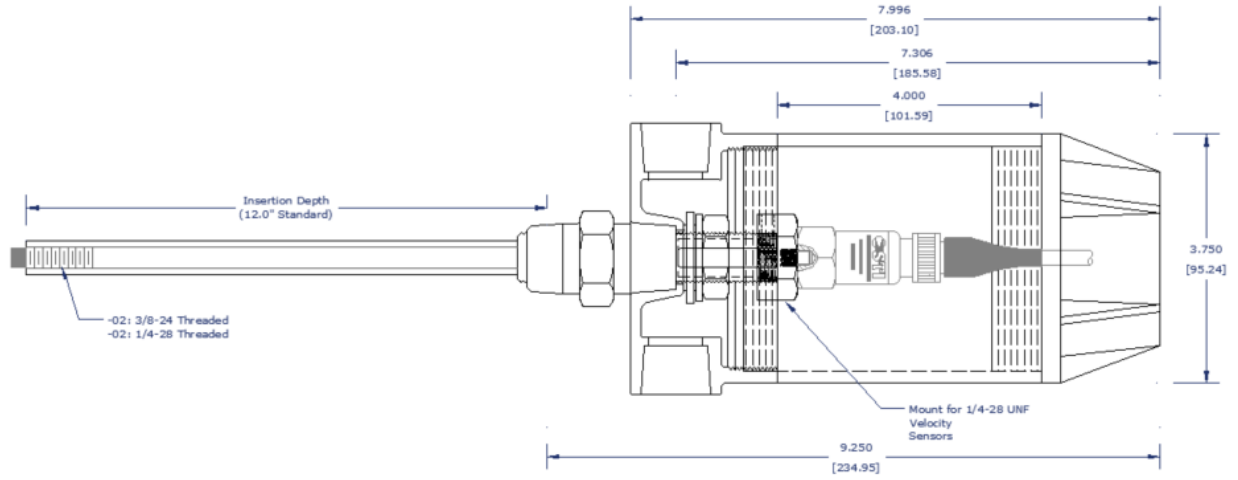
**Specifications:**

Conduit Head Material:	Cast Aluminum and Anodized Aluminum
Probe Holder Material:	316 Stainless Steel
Probe Holder Mounting Thread:	3/4" NPT
Conduit Inlets:	Four 3/4" NPT Hubs (Provided with Three Plugs)
Proximity Probe Thread Size:	3/8-24 or 1/4-28 (8mm or 5mm probes)
Proximity Probe Range:	±1.0" (±25.4mm)
Proximity Probe Insertion Depth:	12.0" (305mm) Standard, Other Lengths by Custom Order
Velocity Sensor Mounting Thread:	1/4-28 UNF Female, Adapters Available (See CMCP237 and CMCP238 Series)
Housing Extension:	4.0" (102mm) Standard, Other Lengths by Custom Order

**Ordering Guide**

CMCP801DP	-XX	-XXX	Description
	-01		For 3/8"-24 UNF Threaded Probes
	-02		For 1/4"-28 UNF Threaded Probes (Thread Adapter Included)
		-120	Standard 12.0" (305mm) Insertion Depth
		-XXX	Specify Custom Length in Tenths of an Inch (80 = 8.0 Inches)

**Dimensions:**



**Part Detail:**

