

CMCP776A High Mounting Resonance Accelerometer

Compact IEPE 'Ultrasound' Accelerometer, top exit, 2 Pin Mini-Mil



Features

- High Frequency Accelerometer
- 0.5 Hz to 23 kHz Frequency Range
- Compact Top Entry Body
- 100 mV/g $\pm 10\%$
- 121°C Max Temperature Range
- ± 80 g Dynamic Range
- 2 Pin Mini-Mil Connector
- 1/4"-28 UNF and M8x1.25 Mounting Studs

Typical Applications

High Frequency Applications

Technical Performance

Mounted Base Resonance:	42 kHz (nominal)
Sensitivity:	100 mV/g $\pm 10\%$ Nominal 80 Hz at 22°C
Frequency Response:	0.5 Hz to 23 kHz @ 3dB (30 CPM to 1,380 kCPM) 1.0 Hz to 10 kHz @ 10% (60 CPM to 600 kCPM)
Isolation:	Base Isolated
Measurement Range:	± 80 g
Transverse Sensitivity:	Less than 5%

Electrical

Electrical Noise:	0.1 mg max
Current Range:	2 mA to 10 mA
Bias Voltage:	10-14 Vdc
Settling Time:	2 Second
Output Impedance:	200 Ohm max.
Case Isolation:	$> 10^8$ Ohm at 500 Volt
IEPE:	Integrated Electronics Piezo-Electric

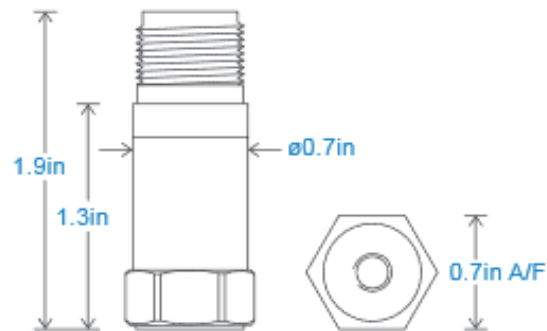
Environmental

Operating Temperature Range:	-58 to 250°F (-50 to 121°C)
Sealing:	Hermetically Sealed
Maximum Shock:	5000 g
Approvals:	CE Approved

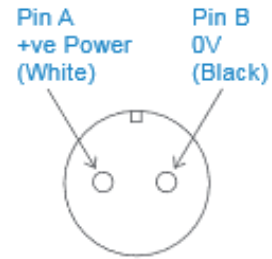
Mechanical

Case Material:	Stainless Steel
Sensing Element:	PZT/Ceramic
Mounting Torque:	2 to 5 ft. lbs. (2.7 to 6.8 Nm)
Weight:	1.8 Oz (52 gram)
Mating Connector:	2 Pin Mini-Mil Connector
Mounting:	1/4-28 UNF and M8x1.25 Mounting Studs Provided

Dimensions



Connection Details



Ordering Information

Part ID: CMCP776A
Description: Compact Ultrasound Sensor, High Mounting Resonance Accelerometer, IEPE, top exit, 2 Pin Mini-Mil, 1/4-28 UNF and M8x1.25 Mounting Studs

Recommended Cable Assemblies

Teflon Jacketed Cable, Rated to 200°C

Part ID: CP2205004-16 16' (5m) Mini-Mil Cable Assembly, Yellow FEP Cable
Part ID: CP2205004-32 32' (10m) Mini-Mil Cable Assembly, Yellow FEP Cable
Part ID: CP2205004-64 64' (20m) Mini-Mil Cable Assembly, Yellow FEP Cable

Note: Due to STI's continuous process improvement, specifications are subject to change without notice.