

CMCP422VTTS-M12 Series with Temperature Output

4-20 mA Velocity Sensor, Side Exit, 4-Pin M12 Connector



Features

- Loop Powered 4-20 mA Output
- Velocity Output with RMS or Peak Detection
- Voltage Temperature Output (0-1 VDC)
- Side Exit for Flush Installations
- 4-Pin M12 Eurofast Connector
- Interfaces Directly with Control Systems (PLC/DCS)
- Selectable Full-Scale Ranges
- 10 Hz to 1.0 kHz +/-5% Frequency Response (600 CPM to 60 kCPM)
- Sealed to IP67
- -25 to +120°C (-13 to 248°F) Temperature Rating
- Lifetime Warranty

Typical Applications

Fans, Motors, Pumps, Compressors, Centrifuges, Conveyors, Air Handlers, Gearboxes, Rolls, Dryers, Presses, Cooling, HVAC, Spindles, Machine Tooling, Process Equipment and many more.

Technical Performance

Mounted Base Resonance:	5 kHz Min.
Analog Output:	4-20 mA, Between Pin 2 and 4
Temperature Output:	10 mV/°C Between Pin 1 and 3
Frequency Response:	10 Hz to 1.0 kHz ± 5%, (600 CPM to 60 kCPM), ISO 20816
Isolation:	Base Isolated
Measurement Range:	50 g peak
Transverse Sensitivity:	Less than 5% with Faraday Cage

Electrical

Output Current:	4-20 mA DC Proportional to RMS or Peak Velocity
Supply Voltage:	15 to 30 VDC
Settling Time:	1 Second
Output Impedance:	Loop Resistance 600 Ohm Max @ 24 VDC
Case Isolation:	>10 ⁸ Ohm at 500 Volt
Ratings:	U _i =28V; I _i = 115mA; P _i = 0.65W

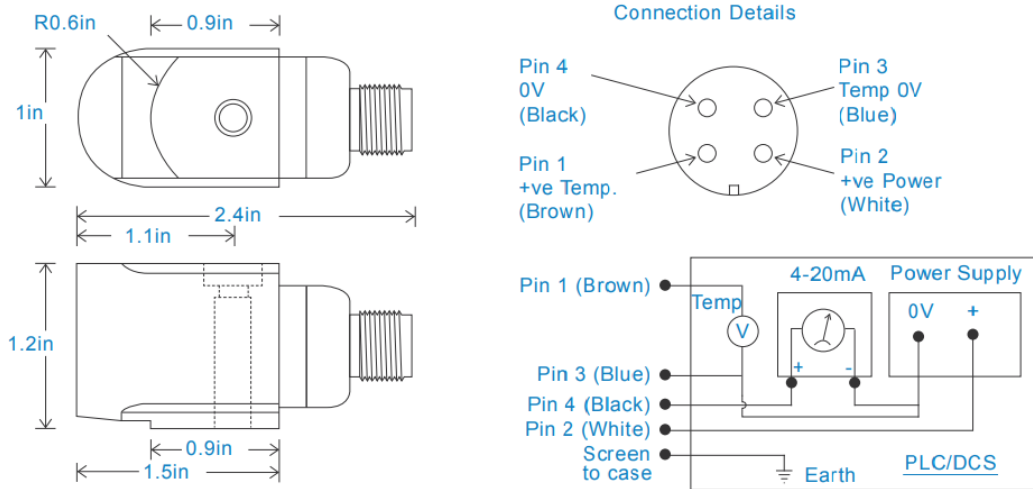
Environmental

Operating Temperature Range:	-13 to 248°F (-25 to 120°C)
Sealing:	IP68 (IP67 with M12 Connector)
Maximum Shock:	5000 g

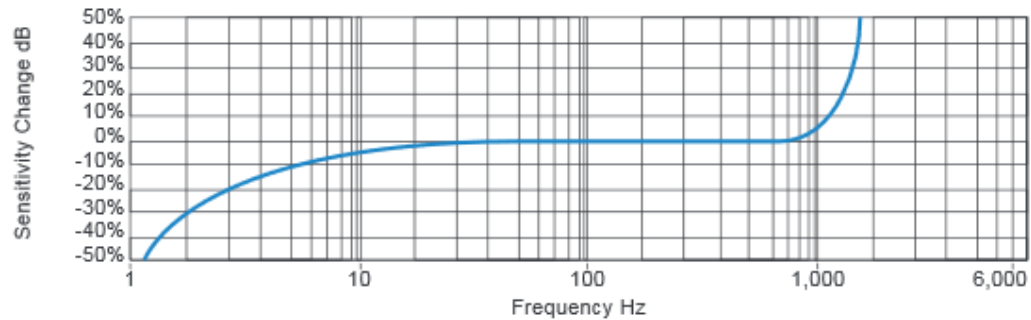
Mechanical

Case Material:	Stainless Steel
Sensing Element:	PZT/Shear Type
Mounting Torque:	5.9 ft. lbs (8Nm)
Weight:	6.5 Oz (185 g) Sensor only
Mounting:	
CMCP422VTTS-XX-X-M12:	1/4"-28 UNF Captive Bolt Supplied with Sensor
CMCP422VTTS-XX-X-M12-M8:	M8x1.25 Captive Bolt Supplied with Sensor
Mating Connector:	4 Pin M12 Eurofast Connector

Dimensions



Typical Frequency Response



Ordering Information

CMCP422VTTS	-XX	-X	-XXX	Description
	-01			1.00 In/Sec Full Scale (25.4 mm/s) with Temperature Output
	-02			2.00 In/Sec Full Scale (50.8 mm/sec) with Temperature Output
		-R		RMS Detection
		-P		Peak Detection
			-M12	M12 Eurofast Connector
			-IP	Intergal PUR Cable (5 meter)

Example Part Number: CMCP422VTTS-01-R-M12

Loop Powered 4-20 mA Velocity and Temperature Sensor, Side Exit, Full Scale 1.0 In/Sec, RMS Detection, M12 Connector

Similar Products



CMCP422VTT-XX-X-M12
M12 Eurofast Connector



CMCP422VTTS-XX-X-IP
PUR Integral Cable

Note: Due to STI's continuous process improvement, specifications are subject to change without notice.