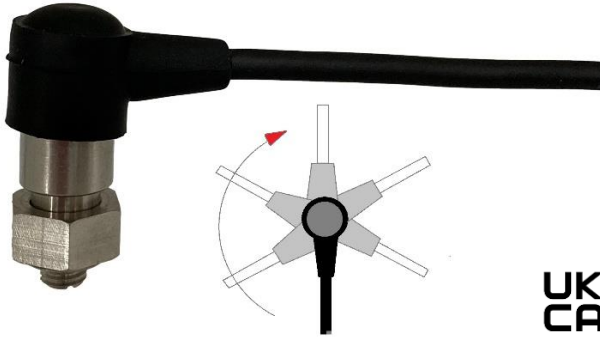




## CMCP1100SR Revolution Series Low-Cost Accelerometer with Pivotal Mount, Integral Cable



### Features

- Compact Accelerometer, Side Entry
- Pivoting Mounting Stud
- 100 mV/g  $\pm 10\%$
- 0.32 Hz to 10 kHz Frequency Response
- Waterproof, Epoxy Encapsulated
- Integral TPE Jacketed Cable
- UV and Oil Resistant
- Stainless Steel Case
- 5, 10 and 20 Meter Stocked Cable Lengths

### Typical Applications

Fans, Motors, Pumps, Compressors, Centrifuges, Conveyors, Air Handlers, Gearboxes, Rolls, Dryers, Presses, Cooling, HVAC, Spindles, Machine Tooling, Process Equipment and many more.

### Technical Performance

Mounted Base Resonance:	>25 kHz (nominal)
Sensitivity:	100 mV/g $\pm 10\%$ Nominal 80 Hz at 22°C
Frequency Response:	1.5 Hz to 8 kHz $\pm 10\%$ (90 cpm to 480 kcpm) 0.32 Hz to 10 kHz $\pm 3\text{dB}$ (19.2 cpm to 600 kcpm)
Isolation:	Case Isolated
Measurement Range:	$\pm 50$ g
Transverse Sensitivity:	Less than 5%

### Electrical

Supply Voltage:	18 to 28 VDC
Current Range:	2 to 20 mA
Bias Voltage:	8-12 Vdc
Electrical Noise:	0.1 mg max.
Settling Time:	2.5 Second
Output Impedance:	<100 Ohm max.
Case Isolation:	>10 <sup>8</sup> Ohm at 500 Volt

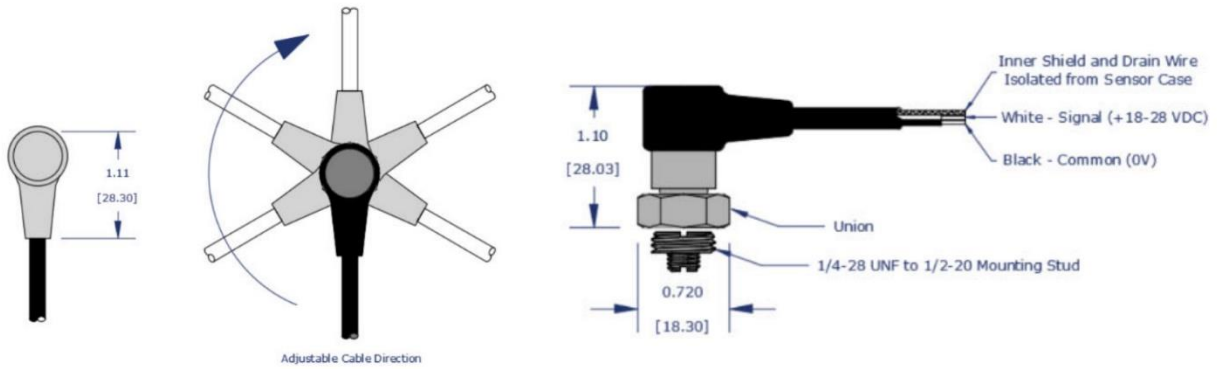
### Environmental

Operating Temperature Range:	-65 to 185°F (-54 to 85°C)
Sealing:	Epoxy Encapsulated
Maximum Shock:	7,000 g
Approvals:	CE Approved

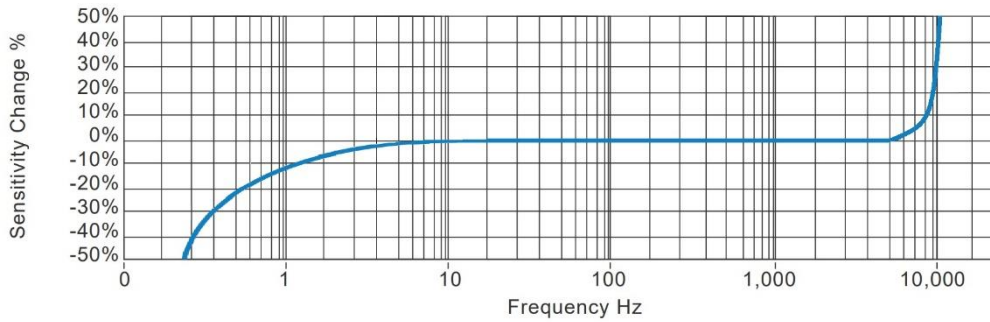
### Mechanical

Case Material:	Stainless Steel
Sensing Element:	PZT/Shear
Mounting Torque:	5.9 ft-lbs (8 Nm)
Weight:	2.5 Oz (70.7 gram)
Cable Jacket:	TPE (Thermoplastic elastomers)
Cable Length:	See Ordering Information
Mounting Thread:	1/4-28 UNF

## Dimensions and Wiring



## Typical Frequency Response



## Ordering Information

CMCP1100SR	-XX	-XX	-XX	Description
	-05			5 Meter (16') Integral Cable
	-10			10 Meter (32') Integral Cable
	-20			20 Meter (64') Integral Cable
		-00		Flying Leads (Bare Wire)
		-01		Female BNC Connector
		-02		Male BNC Connector
			-00	Standard TPE Cable
			-03	TPE Jacketed Cable with Stainless Steel Braided Armor

Example Part Number: CMCP1100SR-05-00-00 (5 Meter Cable, Flying Leads, Standard TPE Cable)

## Similar Products



**Side Exit**  
CMCP1100S



**High Temperature Cable**  
CMCP1100HTS



**Integral Armored Cable**  
CMCP785A-I